



YLI ELECTRONIC

Electric Strike for Push Bar (Stainless steel)

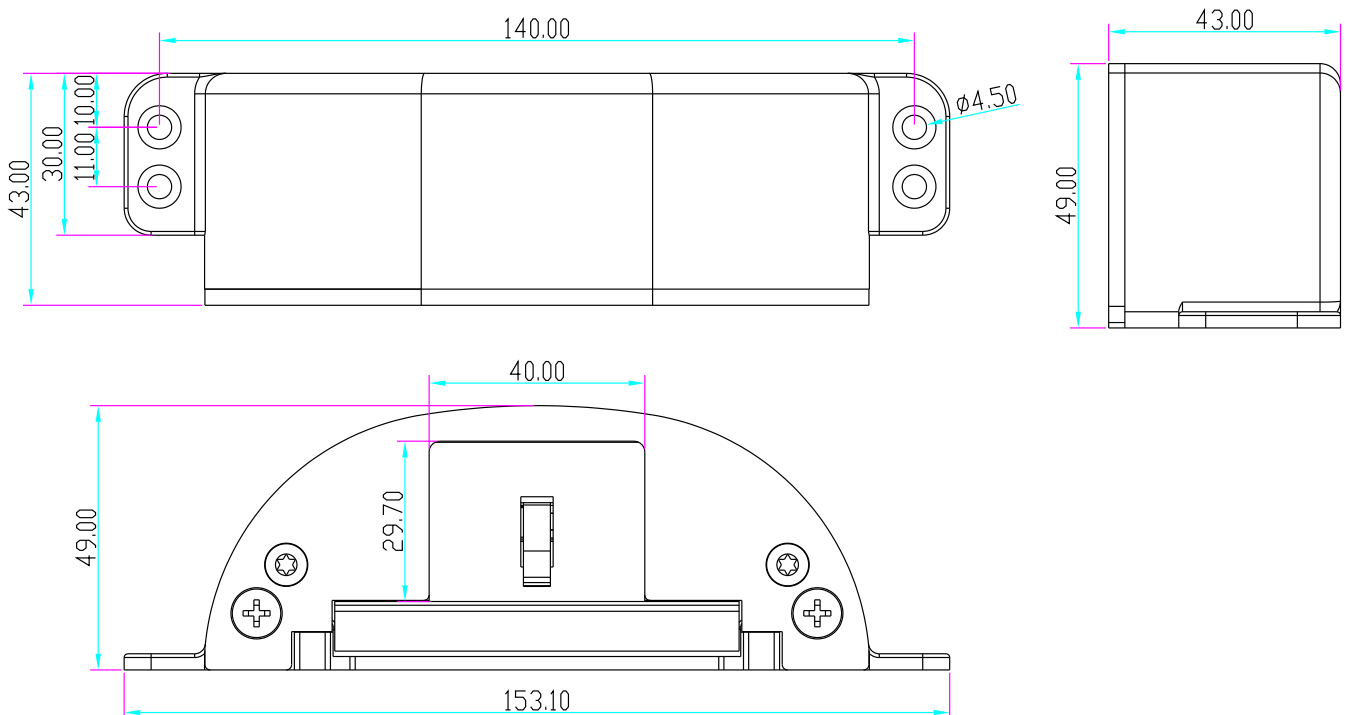


Model: YS-622N-S(SS304)

Specification

Dimension	153Lx43Wx49H (mm)
Voltage	DC12V(Default); DC24V(Order)
Current	12V/320mA; 24V/160mA
Material	304 Stainless Steel
Feature	Fail Safe / Fail Secure adjustable
Signal Output	Door sensor(NO/NC/COM)
Suitable for	European & American fire push bar
Special design	Applies to all brands of fire push rod lock
Durable design	Mechanical test: 1, 000, 000 times
Door Swing	90 degrees
Weight	0.52kg

Diagram (unit:mm)



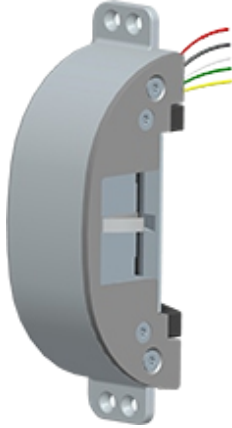
Signal Output

N.C. contact or access relay for fail safe setting.
 N.O. contact or access relay for fail secure setting.

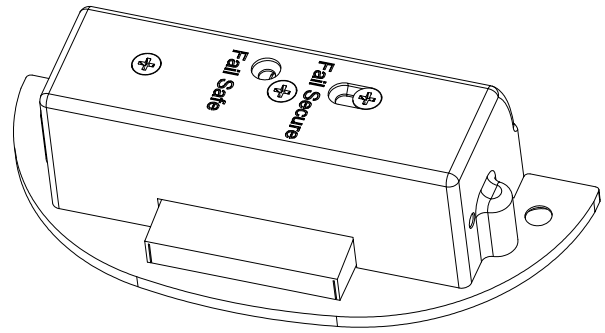
Door Status
 Green: NO
 White: COM
 Yellow: NC
 Red: +
 Black: -

N.C. contact output : open status
 N.O. contact output : closed status

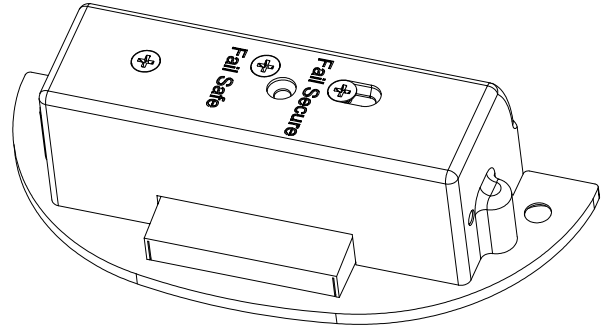
DC12V(Default); DC24V(Order)



Function Conversion

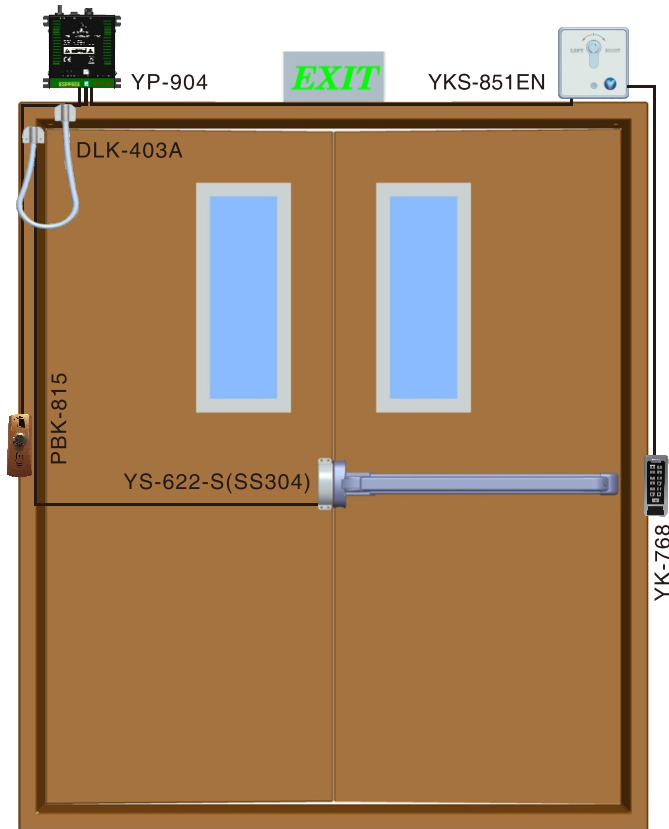


Fail secure(NO)



Fail safe(NC)

Installation Diagram



Overall Dimensions

